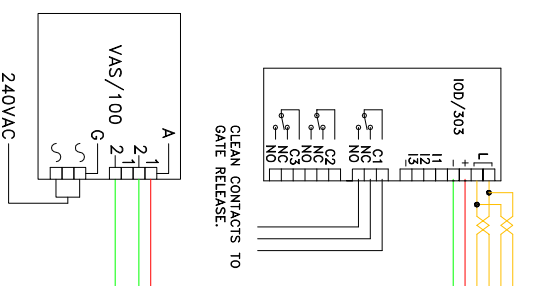
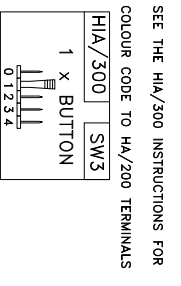
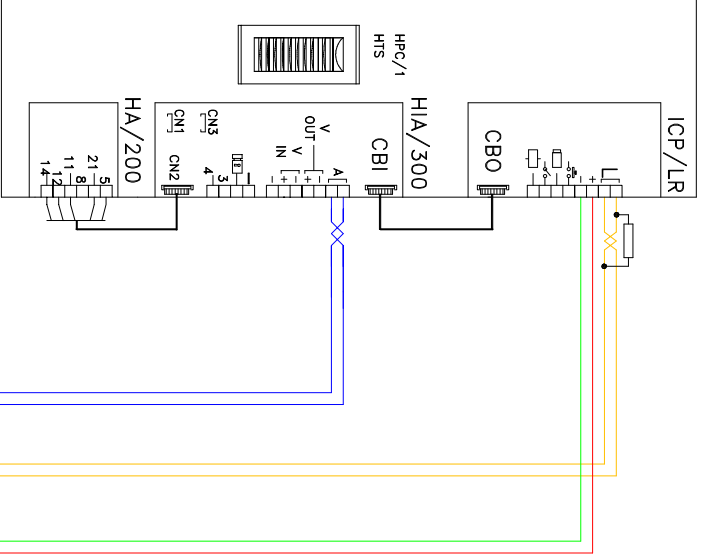


AUDIO  
ENTRY PANEL



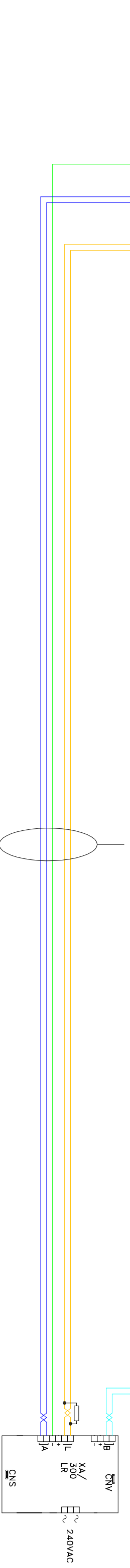
1. IT IS VITAL THAT THE CLOSING RESISTANCES SHOWN ON THE DRAWING AS 56R & 120R ARE CONNECTED AS INDICATED.
2. THE TWISTED PAIRS MUST NOT BE UNTWISTED TO SIMPLIFY INSERTION INTO TERMINALS; KEEP THEM TWISTED TOGETHER ALL THE WAY INTO THE TERMINALS



IN THIS CONFIGURATION SHOWN

PLEASE NOTE THE MAXIMUM DISTANCE BETWEEN ENTRY PANEL AND XA/300 CANNOT EXCEED (1000M USING 4 PAIR CAT5 + 1 CORE @ 1.0MMSQ)

PLEASE NOTE THE MAXIMUM DISTANCE BETWEEN XA/300 AND FURTHEST HANDSET CANNOT EXCEED (250M USING 4 PAIR CAT5),



BPT (UK) LTD. HERTS. ENGLAND	PREPARED FOR INSTALLER INFORMATION	DATE: 26/03/08	DRAWN: RC
DRAWING TITLE: 1 X 1 BUTTON TARGHA AUDIO ENTRY PANEL (DIST. 150M TO 1000M) & 1 LYNEX HANDSET	REVISED:		
		DRAWING No: C-1T1Y1C(AUD)	